

Servo Bucket

Product Documentation

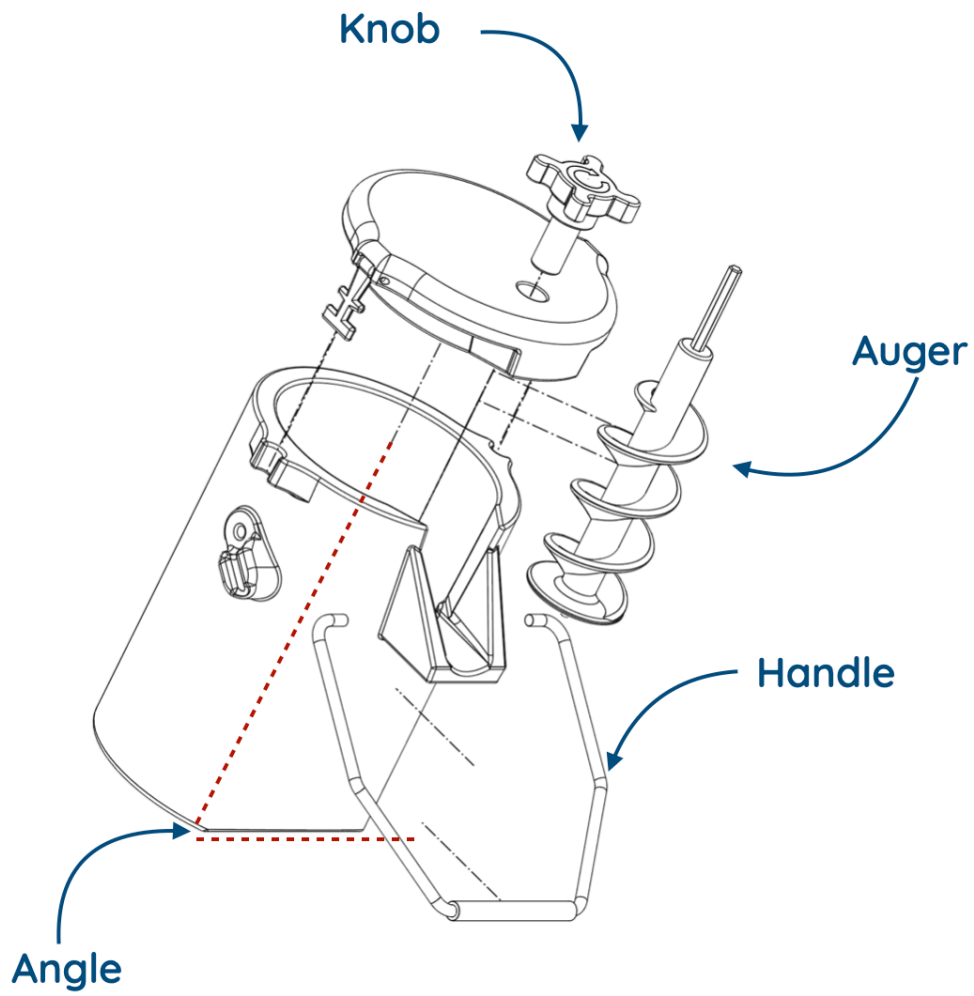
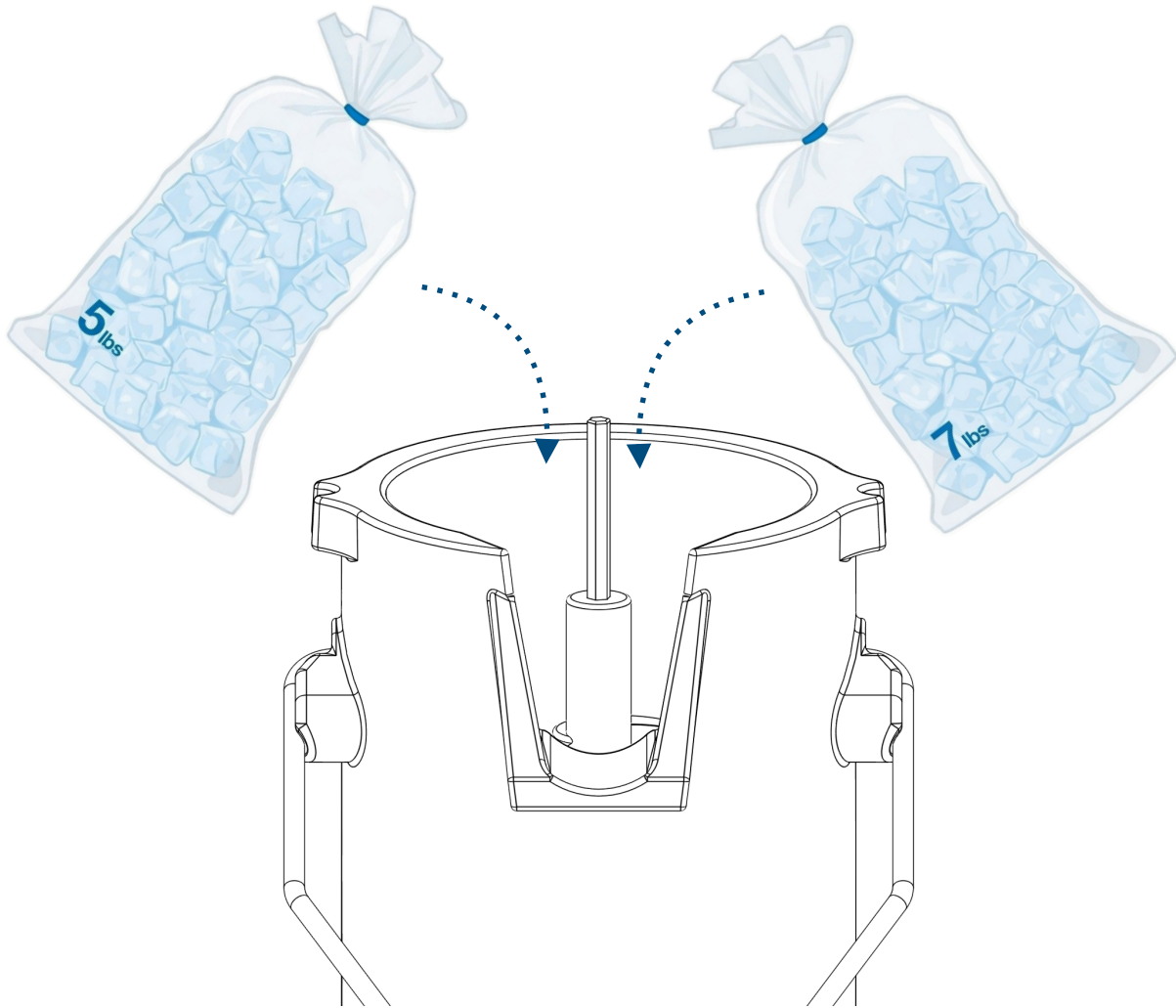
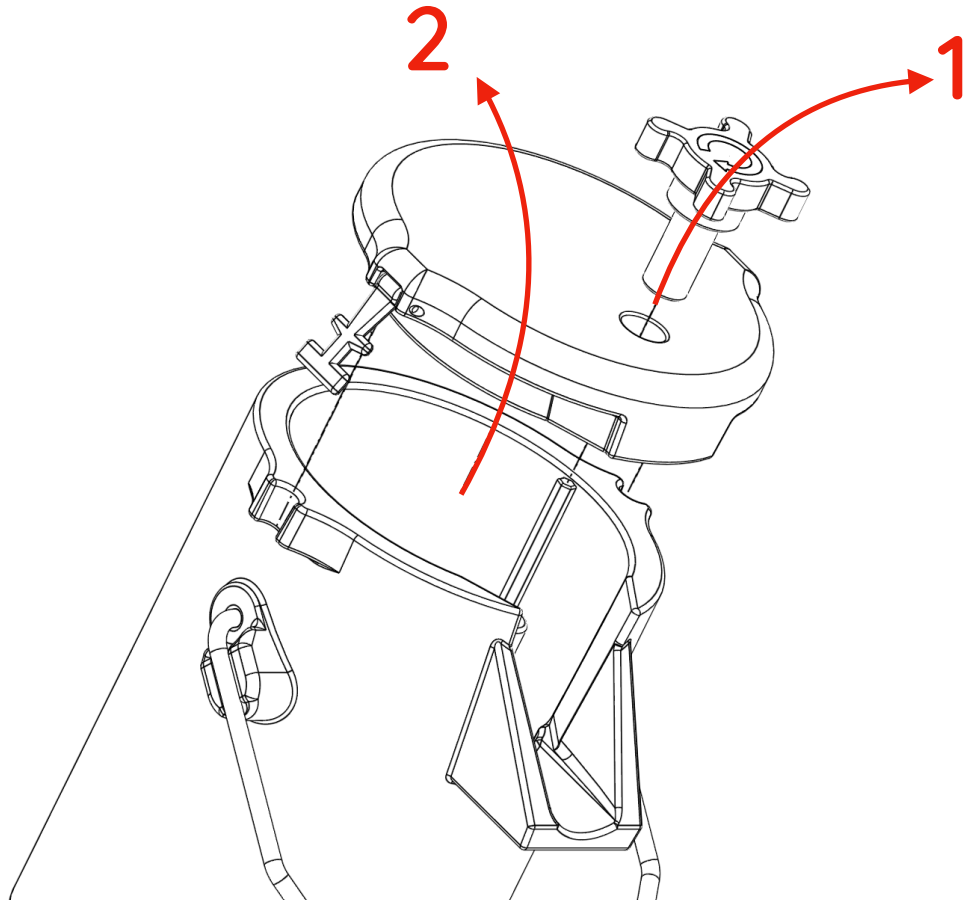


Table Of Contents

1. Filling the bucket
2. Using the bucket
3. Cleaning the bucket
4. FAQ
5. Product warnings

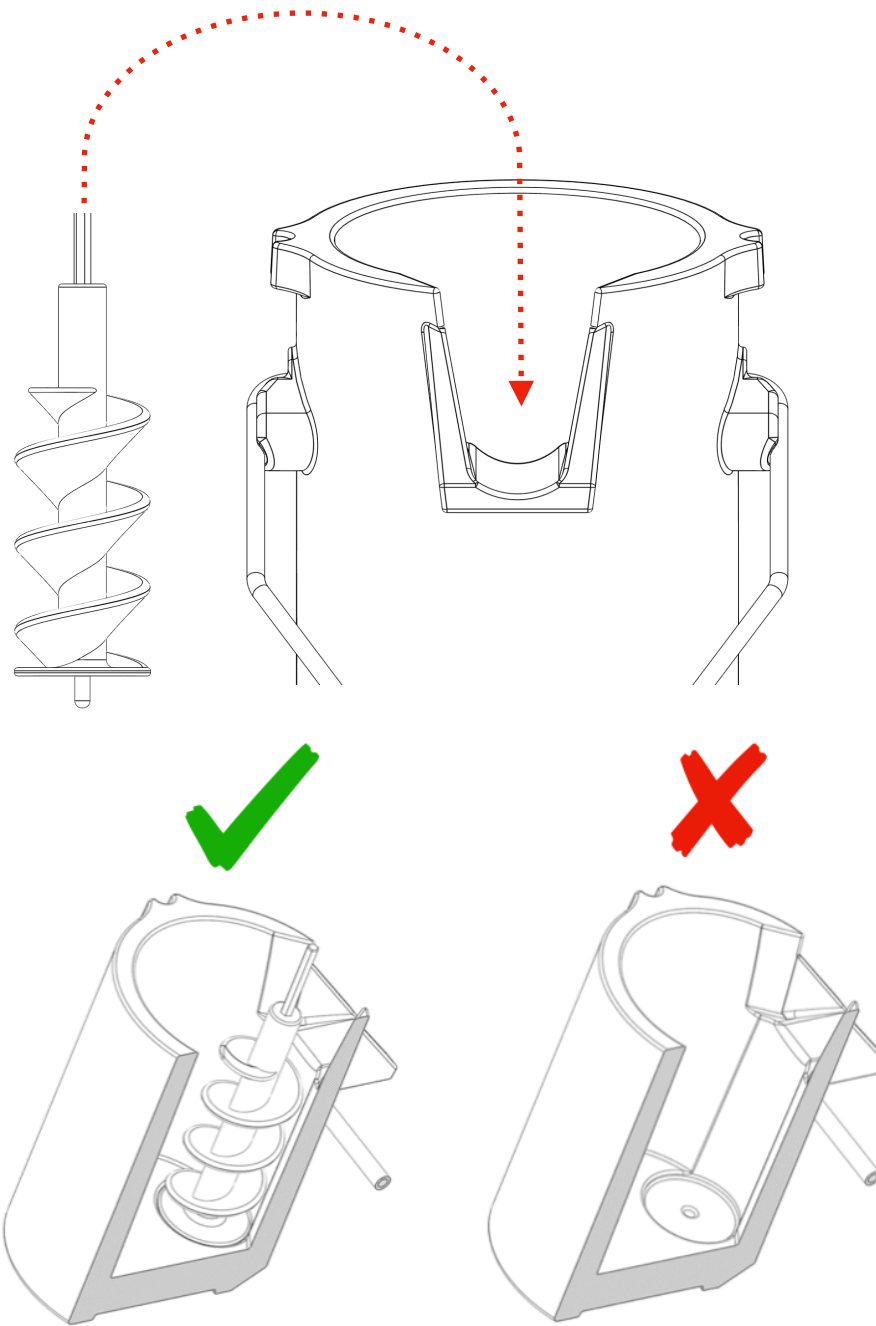
Filling the Bucket





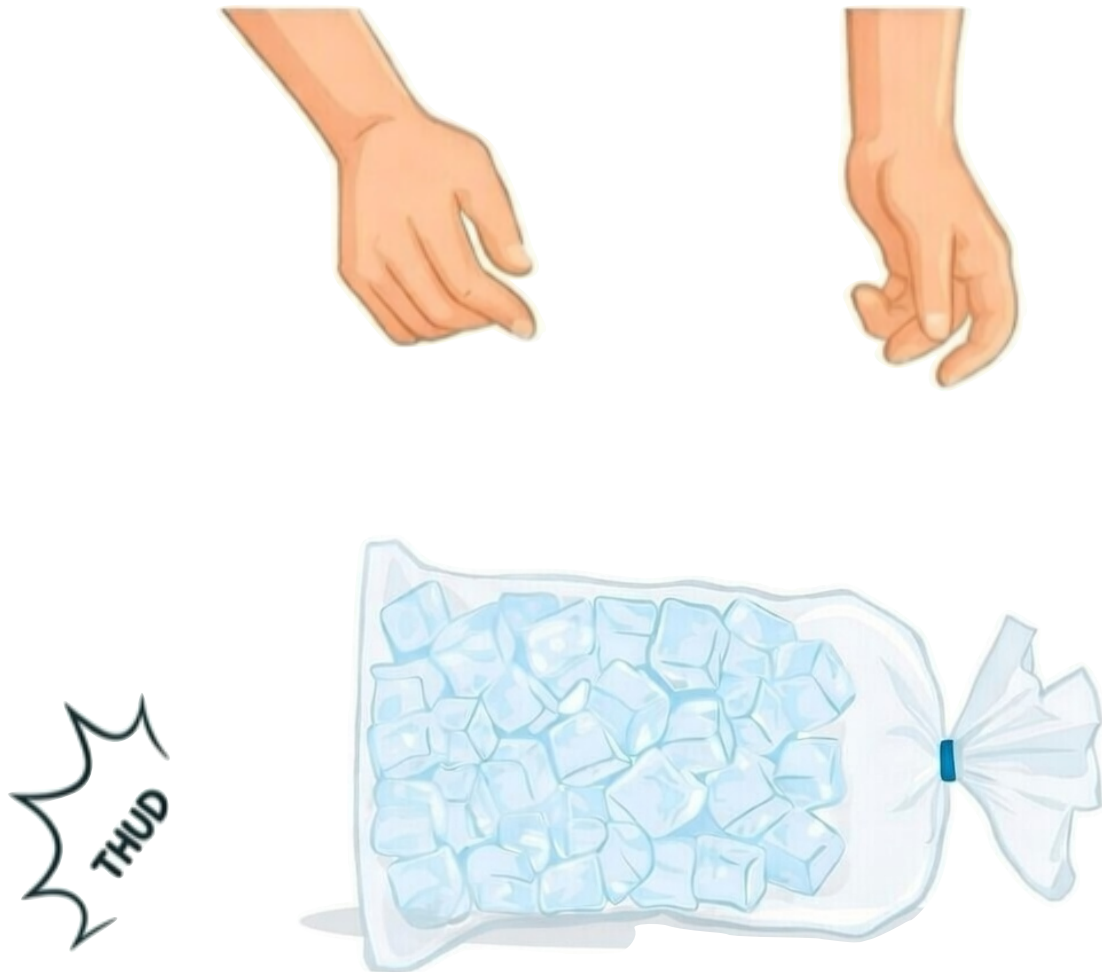
Step 1

Remove the knob, then the lid



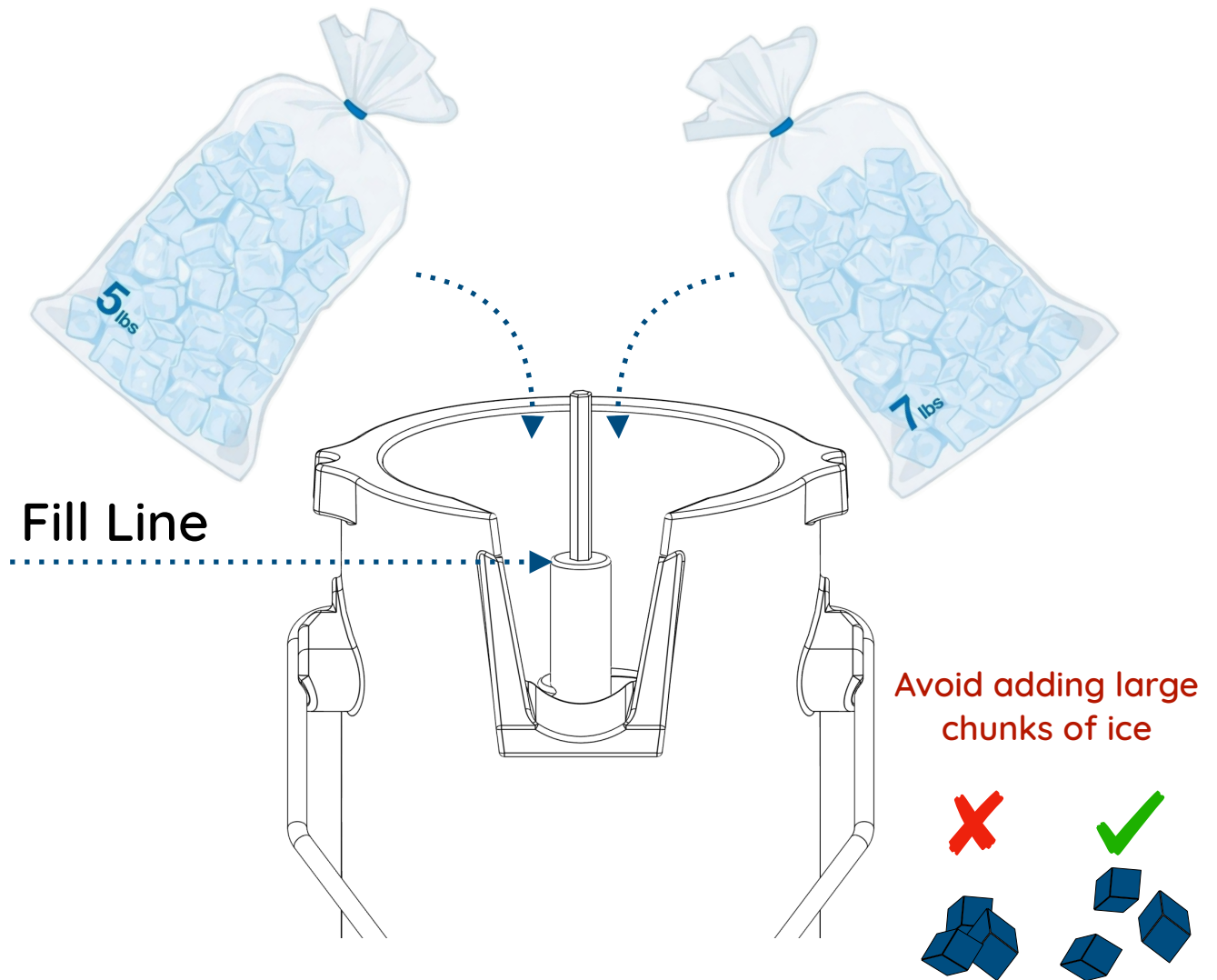
Step 2

Make sure the auger is properly inserted



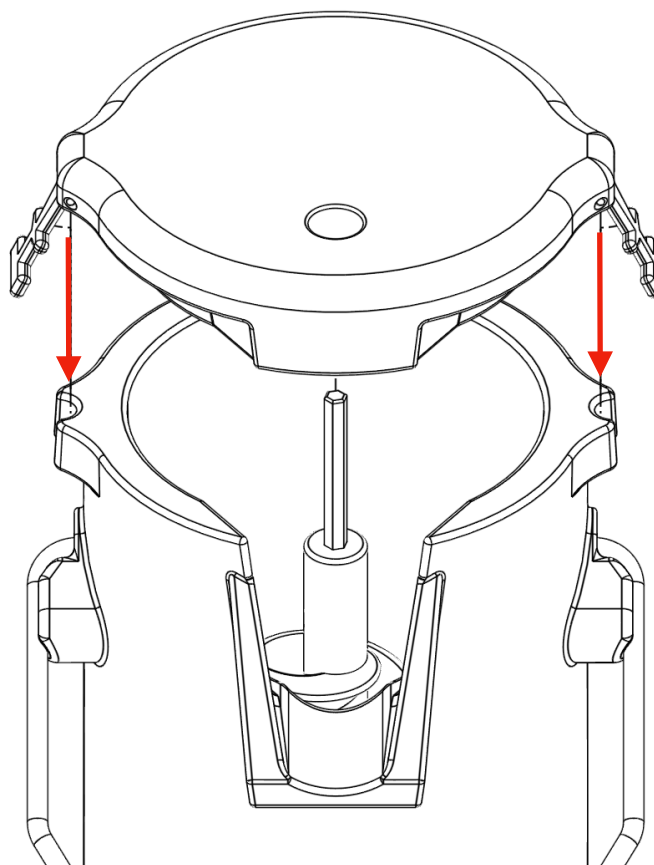
Step 3

Break up any large chunks of ice



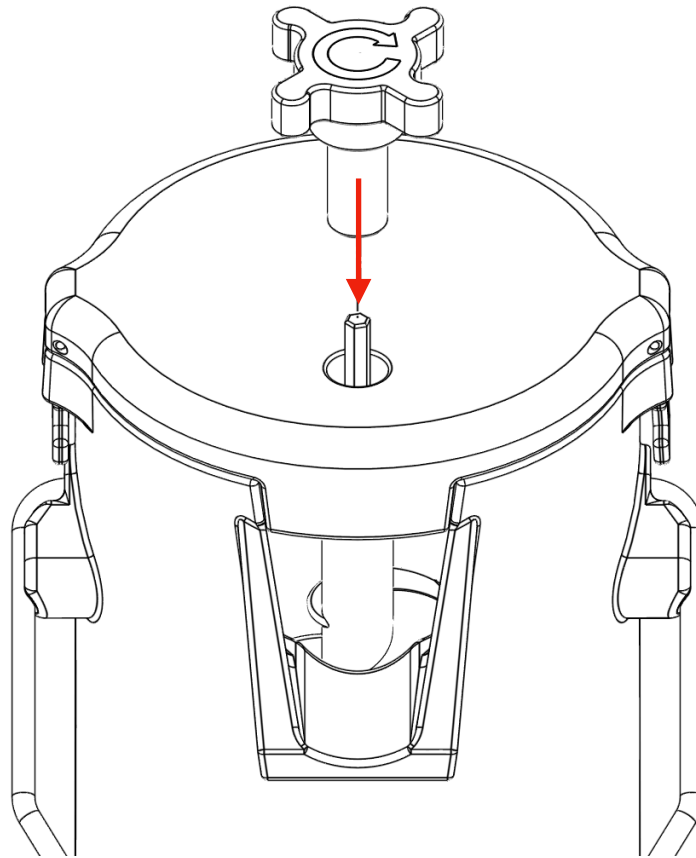
Step 4

Fill the bucket up with ice to the fill line
(top of the auger)



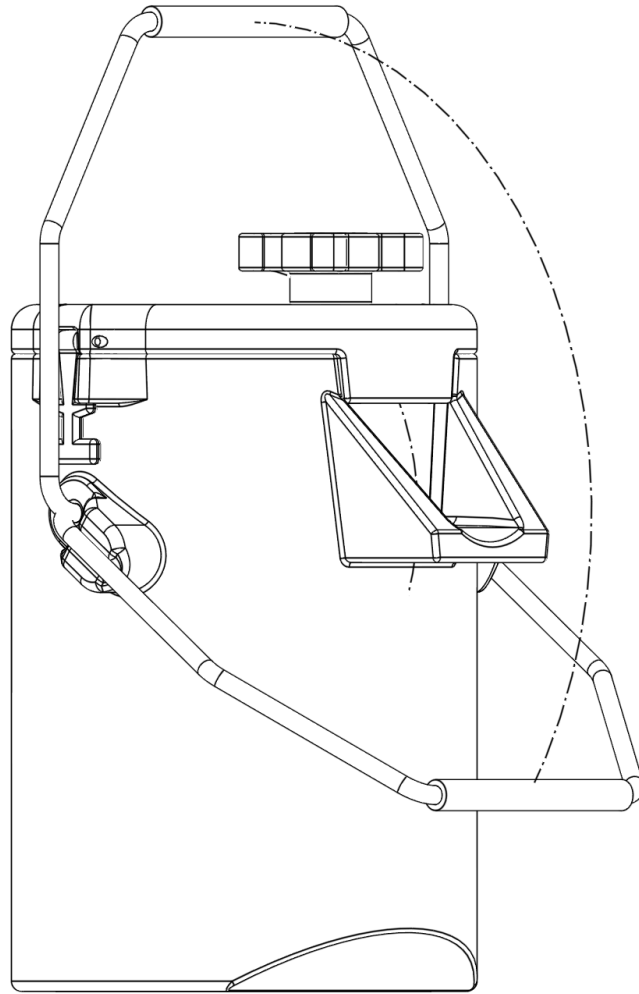
Step 5

Reattach the lid using the rubber latches



Step 6

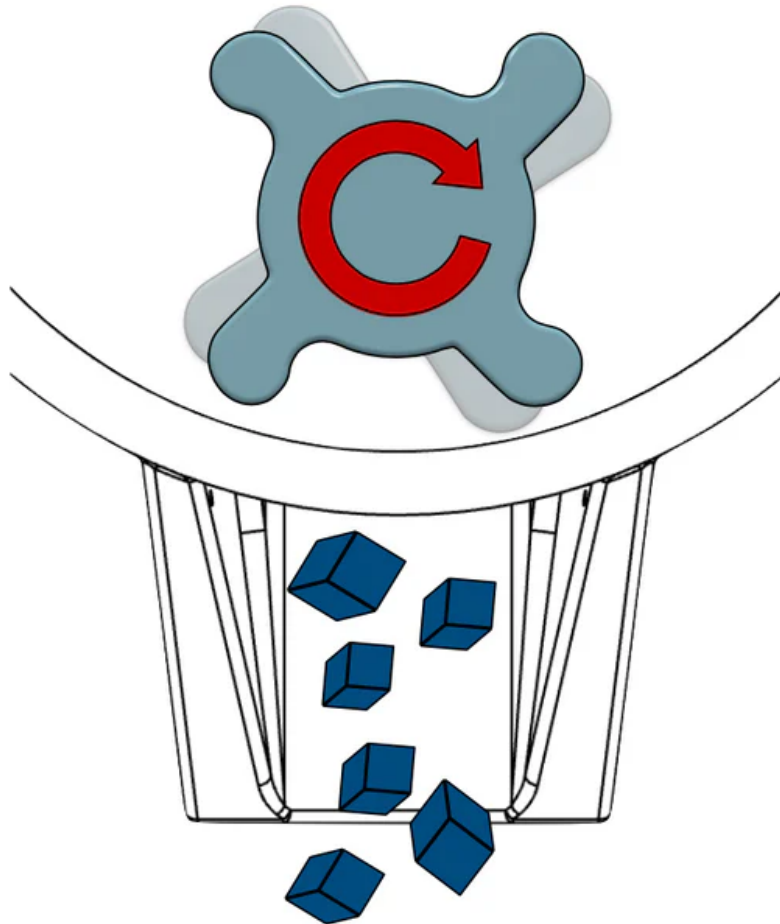
Reattach the knob onto the auger shaft.

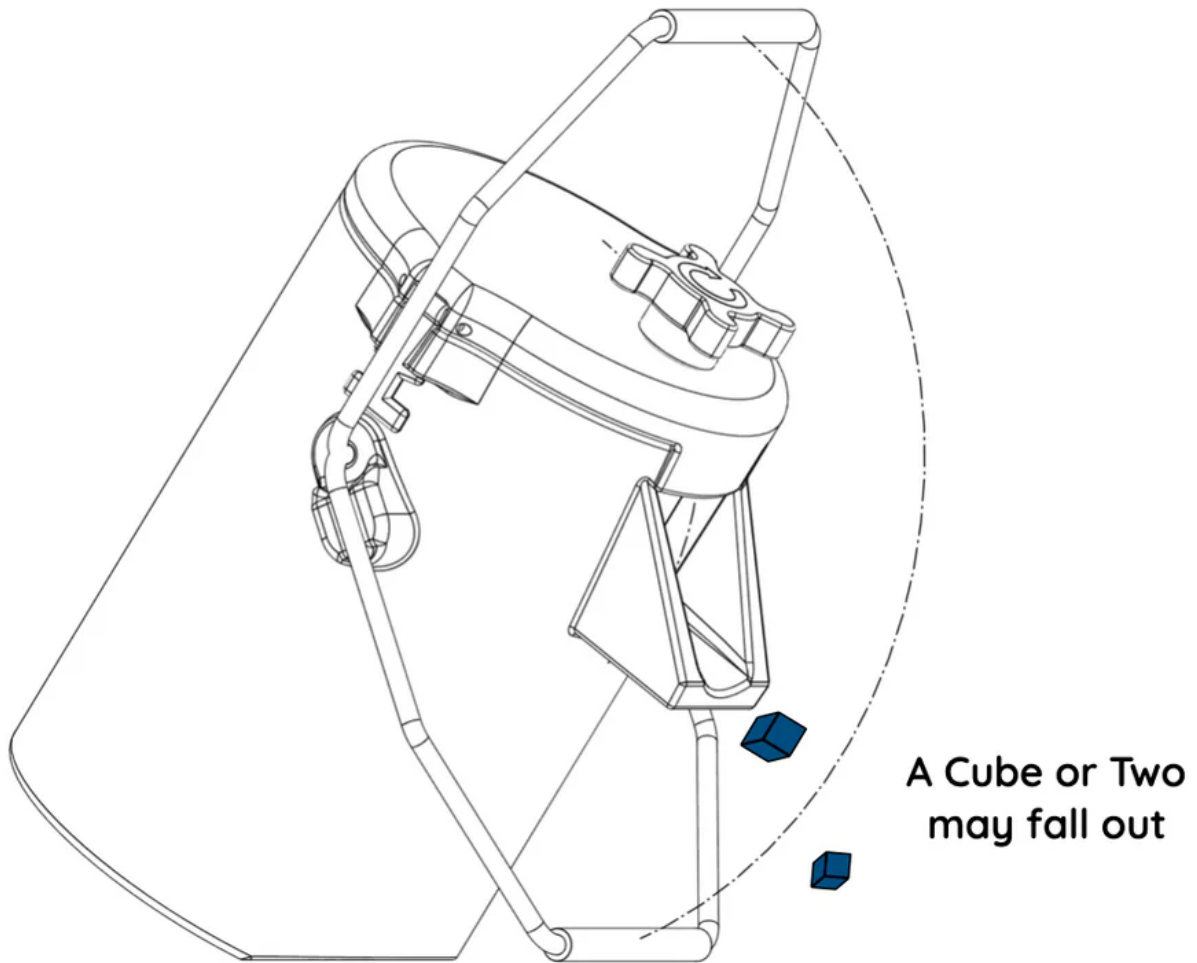


Step 7

Flip the handle up and carry it to your destination!

Using The Bucket

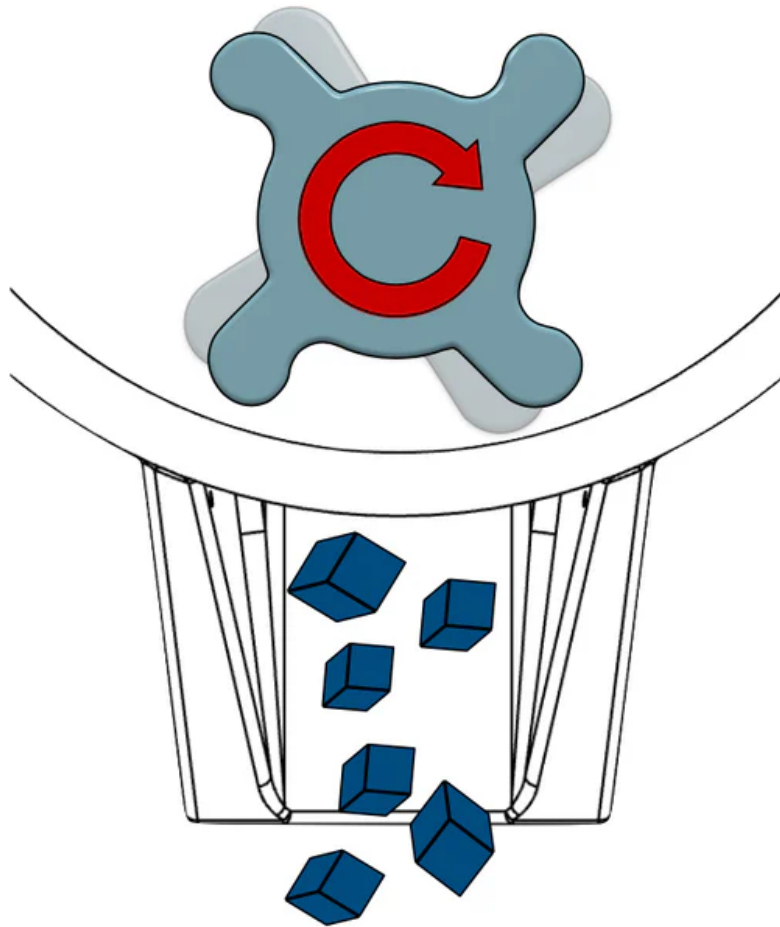




To Set Up

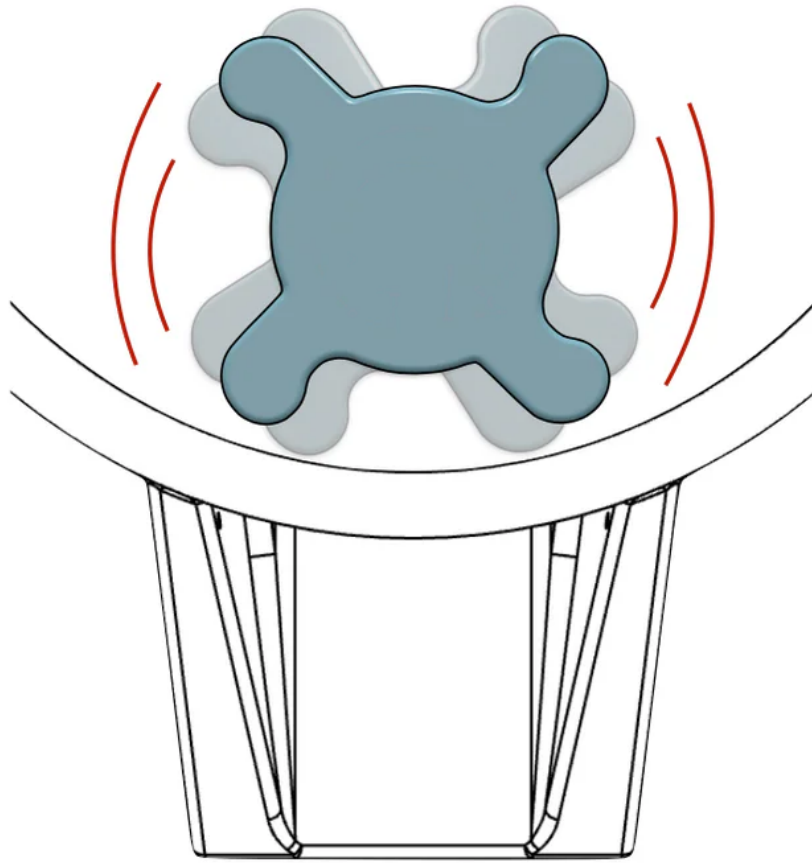
Setup is easy, simply flip the handle into place and tilt! We recommend grabbing the knob to tilt.

Please note, it's normal if a cube or two falls out when you deploy it. After that, the auger will hold back the ice until rotated.



To Get Ice

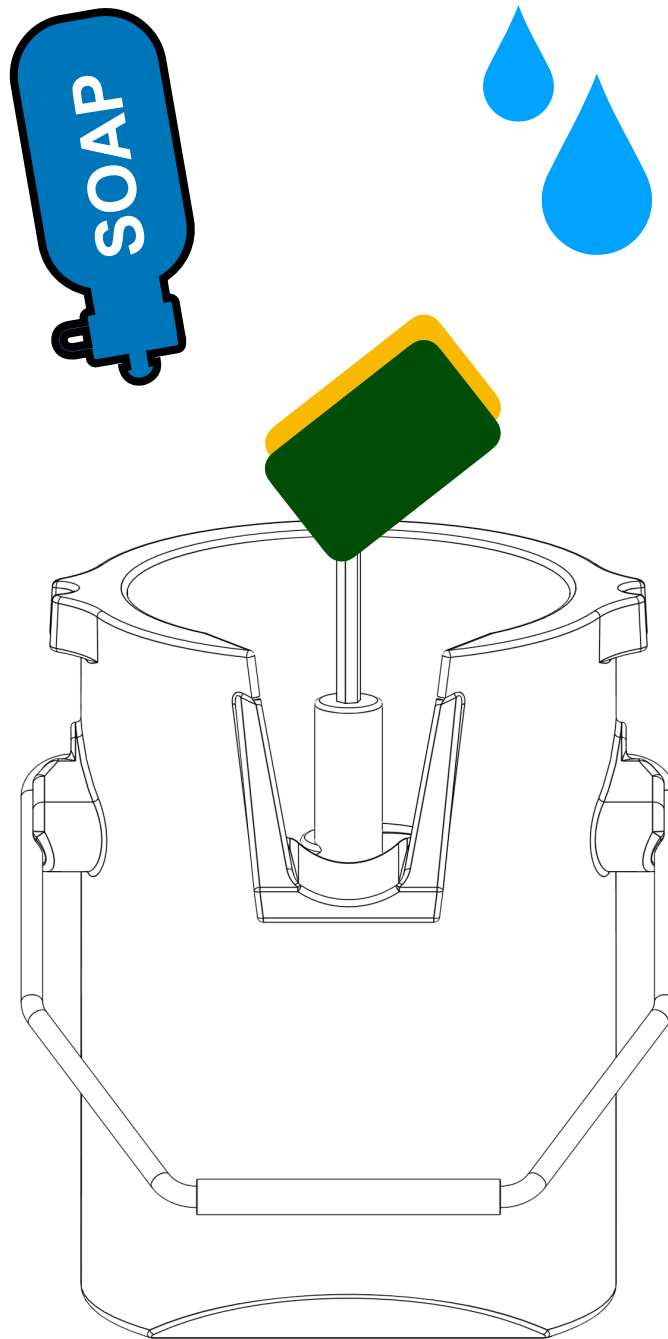
Simply hold your cup under the spout and turn the knob clockwise to dispense the ice.



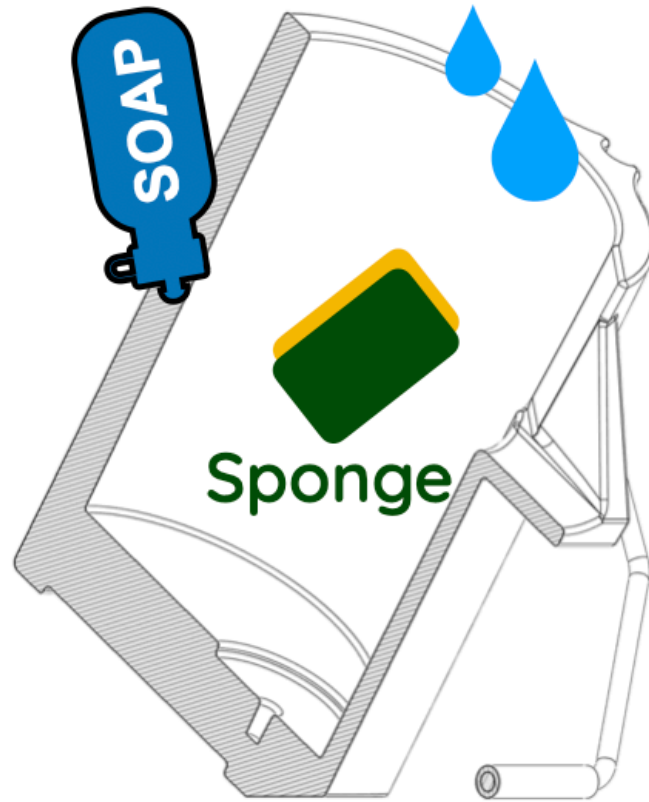
The Auger Seems to be Stuck... What Do I Do?

Ice occasionally will bind up and the solution is simple. Wiggle the knob back and forth a few times and walla, your ice is unstuck!

Cleaning The Bucket



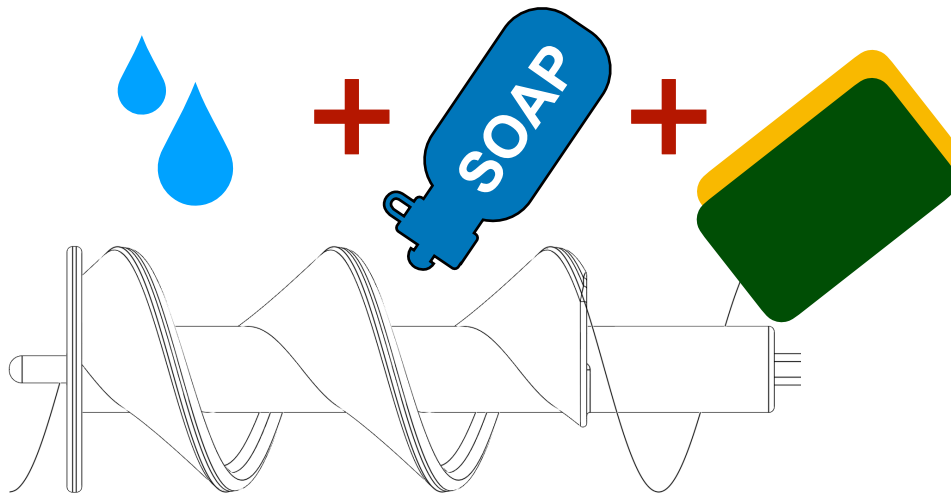
Dish Soap Warm Water



To Clean The Bucket

We recommend cleaning the bucket after each use. To do so, simply rinse out with dish soap and hot water. Use a sponge if materials other than ice were dispensed out of the bucket.

Warm Water Dish Soap Sponge

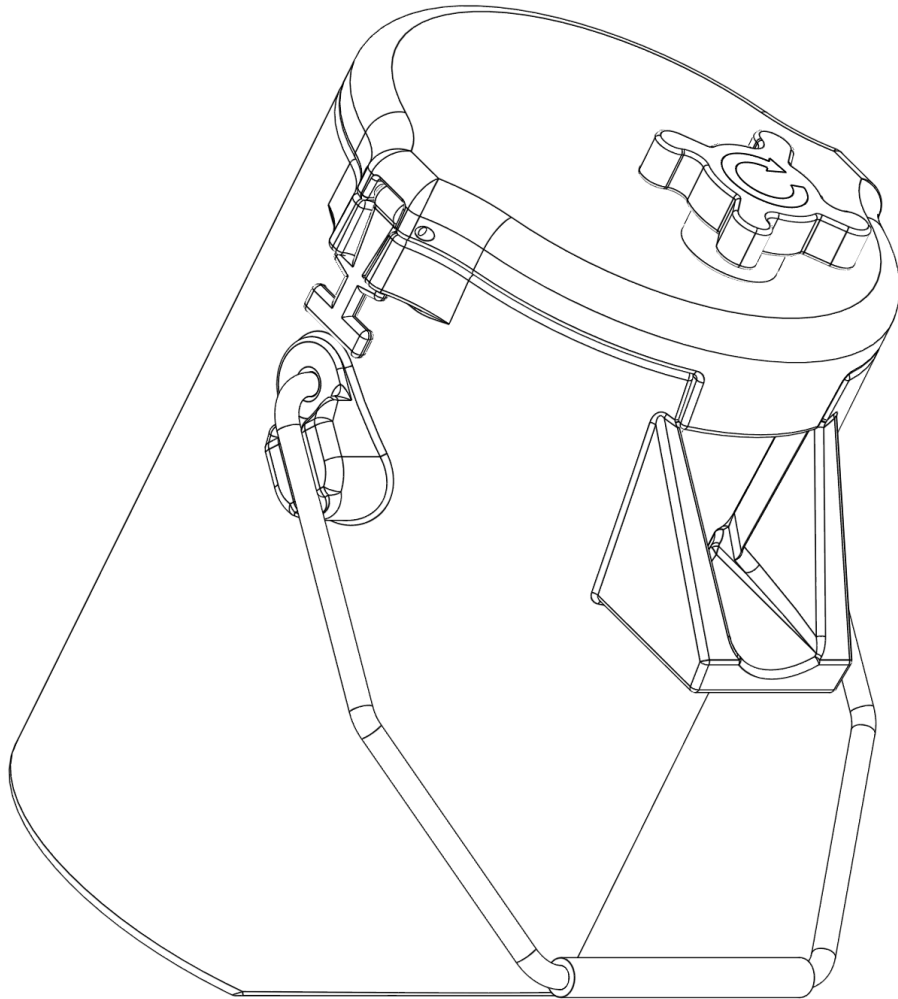


NOT Dishwasher Safe 

To Clean The Auger

We recommend cleaning the auger after each use. To do so, simply wash with dish soap, and hot water. Scrub any visual residue with a sponge if materials other than ice were dispensed out of the bucket.

Frequently Asked Questions

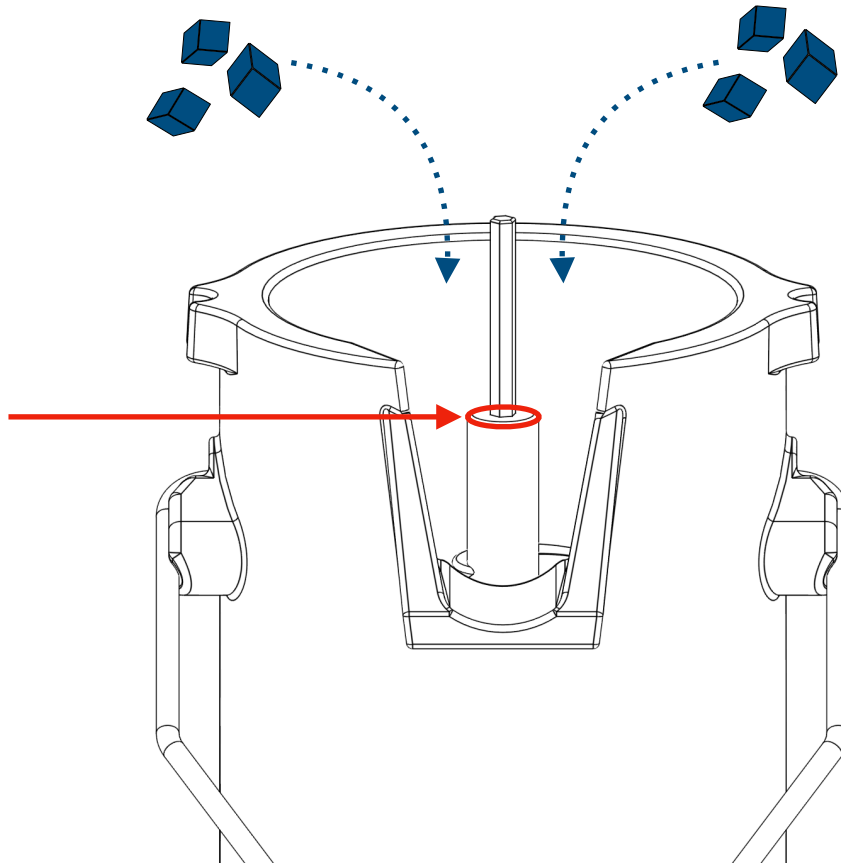




How Much Ice Does It Hold?

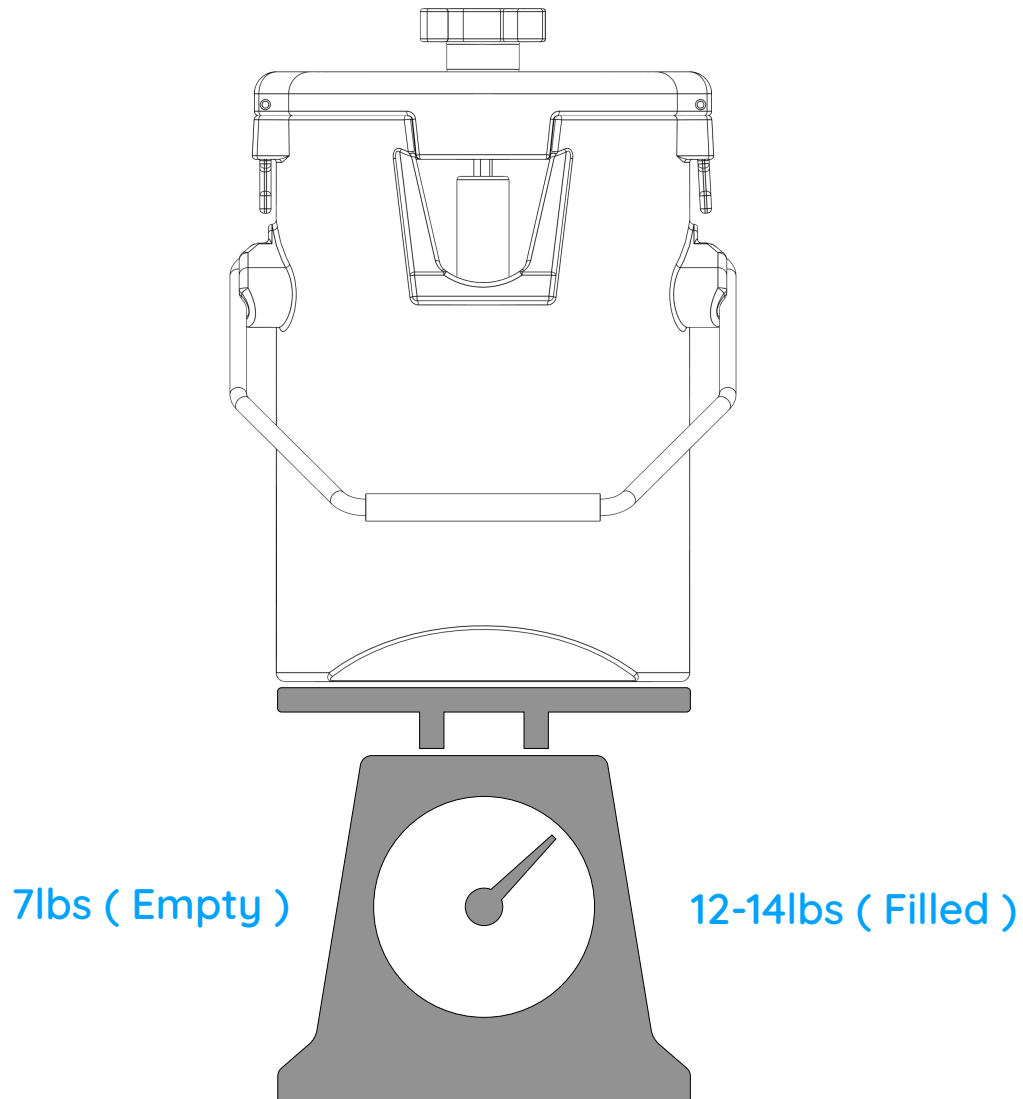
The Servo Bucket is designed to hold 5 to 7 lbs of ice, perfectly matching the size of many standard bags you'll find at grocery and convenience stores.

The amount varies slightly depending on cube size.



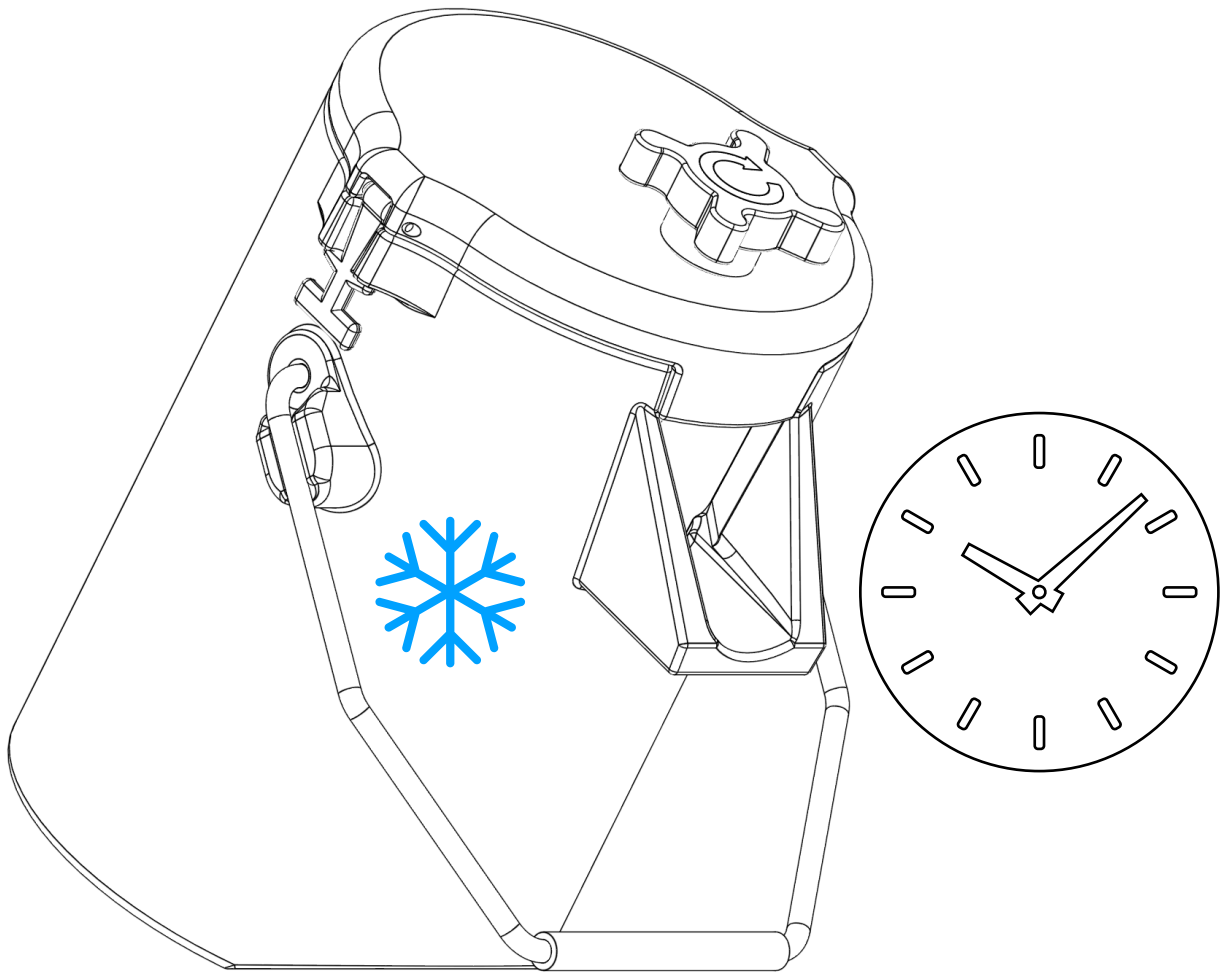
What If I'm Not Filling from a Bag?

If filling without a measured bag, simply fill until the ice reaches the top of the auger.



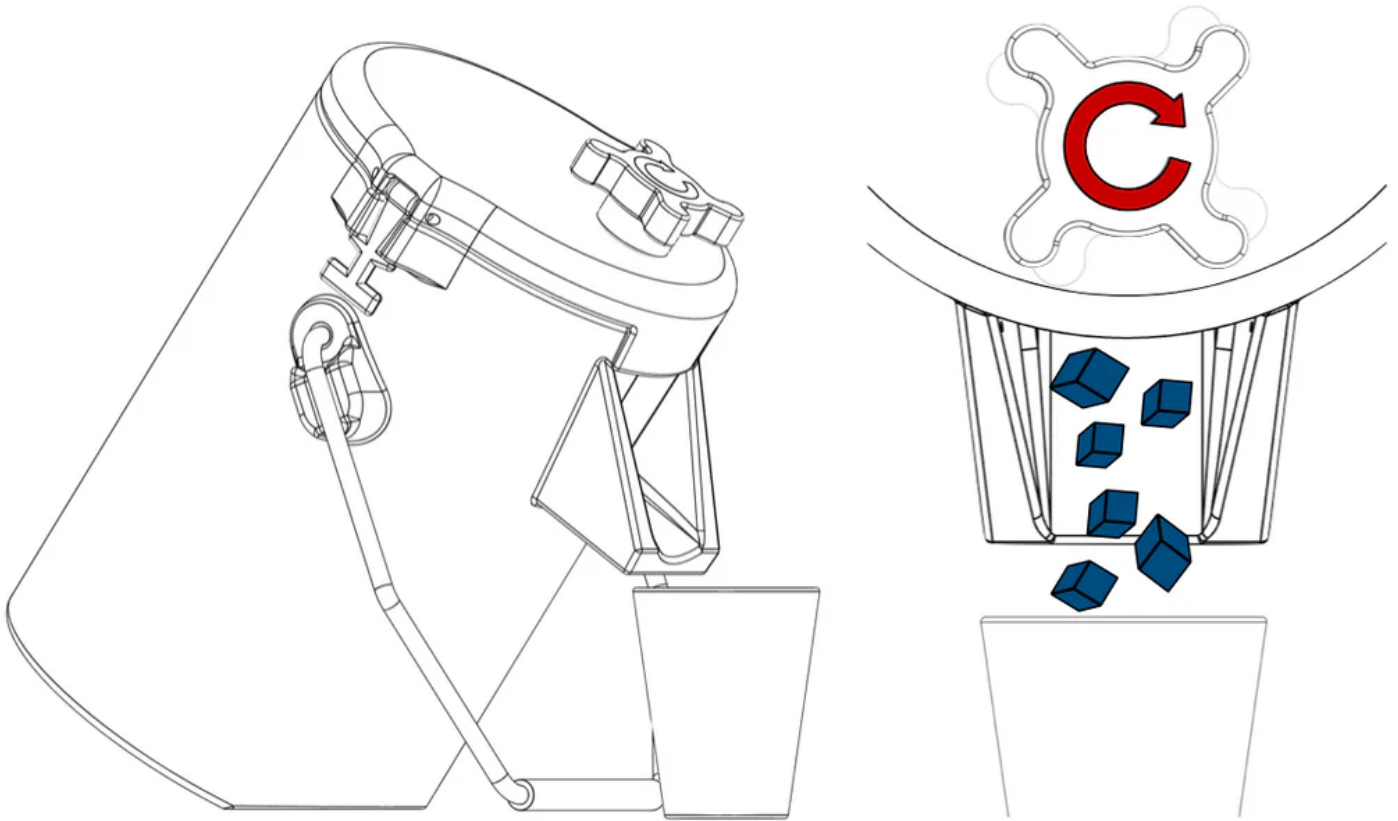
How much does it weigh?

The Servo Bucket weighs 7 lbs when empty and 12-14 lbs when filled with ice. The exact weight depends on how much ice is added.



How Long Will the Ice Last?

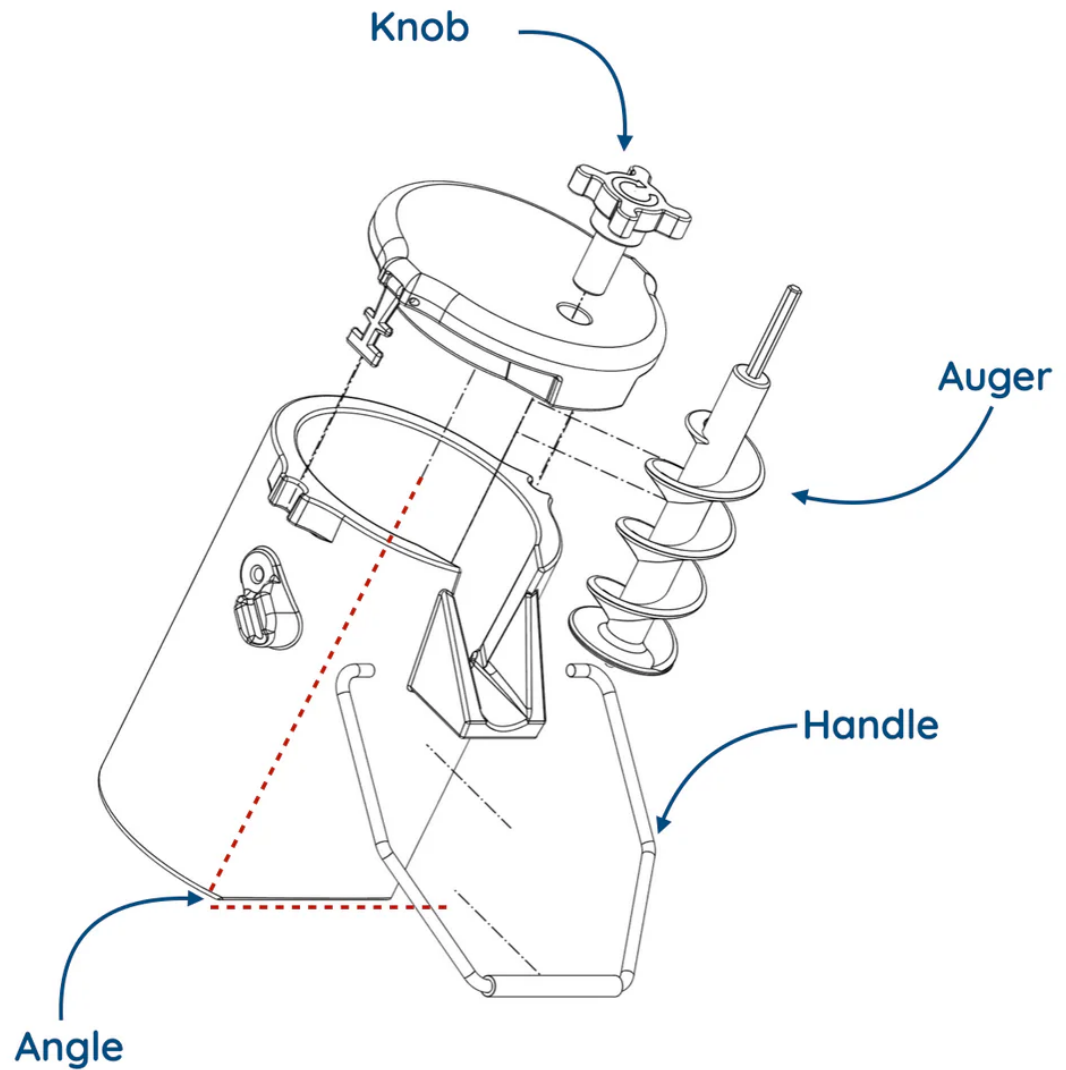
Servo Bucket is designed to keep ice intact for 6-8 hours—ideal for parties, tailgates, and social events.



How Does the Bucket Work?

Our product works by using an auger and an angle.

By twisting the auger clockwise, the ice is lifted from the bottom of the bucket. The bucket's angle is crucial, as it lets the ice rise and exit without falling back. Once the ice reaches the top, it falls through the spout into your cup.



U.S. Patent No. 12,259,172

Is It Patented?

Yes! Our patented design keeps the ice cold and clean inside the bucket, providing a simple experience.

Product Warnings





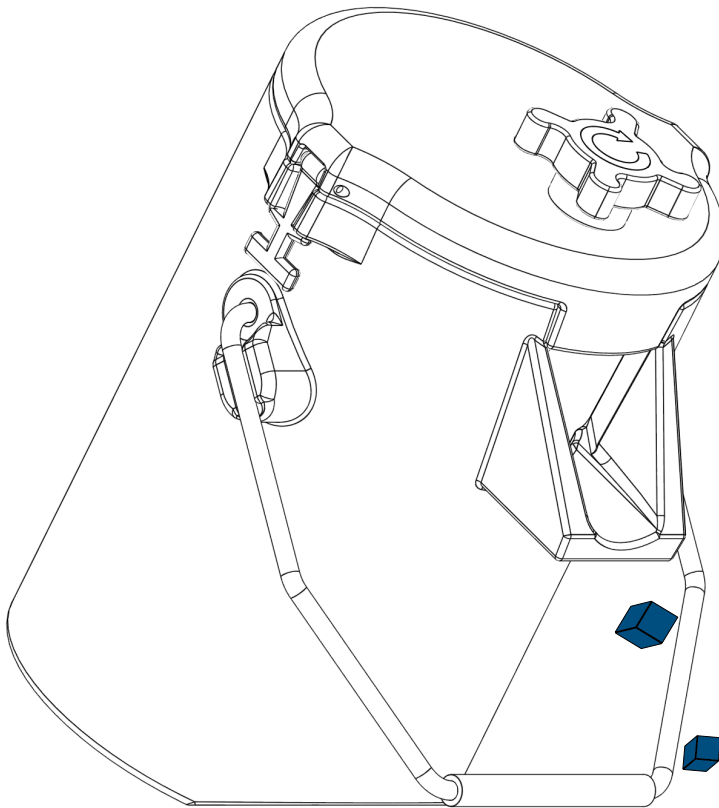
WARNING

DO NOT allow children to sit, stand on, or play with, the bucket. Keep bucket out of reach of children during storage.

DO NOT attempt to use the bucket if any of the parts appear damaged.

DO contact SERVO LLC at first signs of damage or weakness of any parts. Email servosllc@gmail.com.

BE AWARE Sometimes when the bucket is full, ice may fall out the shoot. Ensure the bucket is deployed in a safe environment.



BE AWARE of
falling Ice

DO NOT Deploy the bucket where it can be easily knocked off a surface.

DO NOT Put anything but **Ice** or **Dry Foods** in this dispenser.

WARNING Small children can fall into bucket and drown. Keep children away from buckets with liquid.



WARNING

DO NOT put fingers or other parts of the body near rubber latches when moving the handle. This could result in bodily injury. (Pinch Risk)

